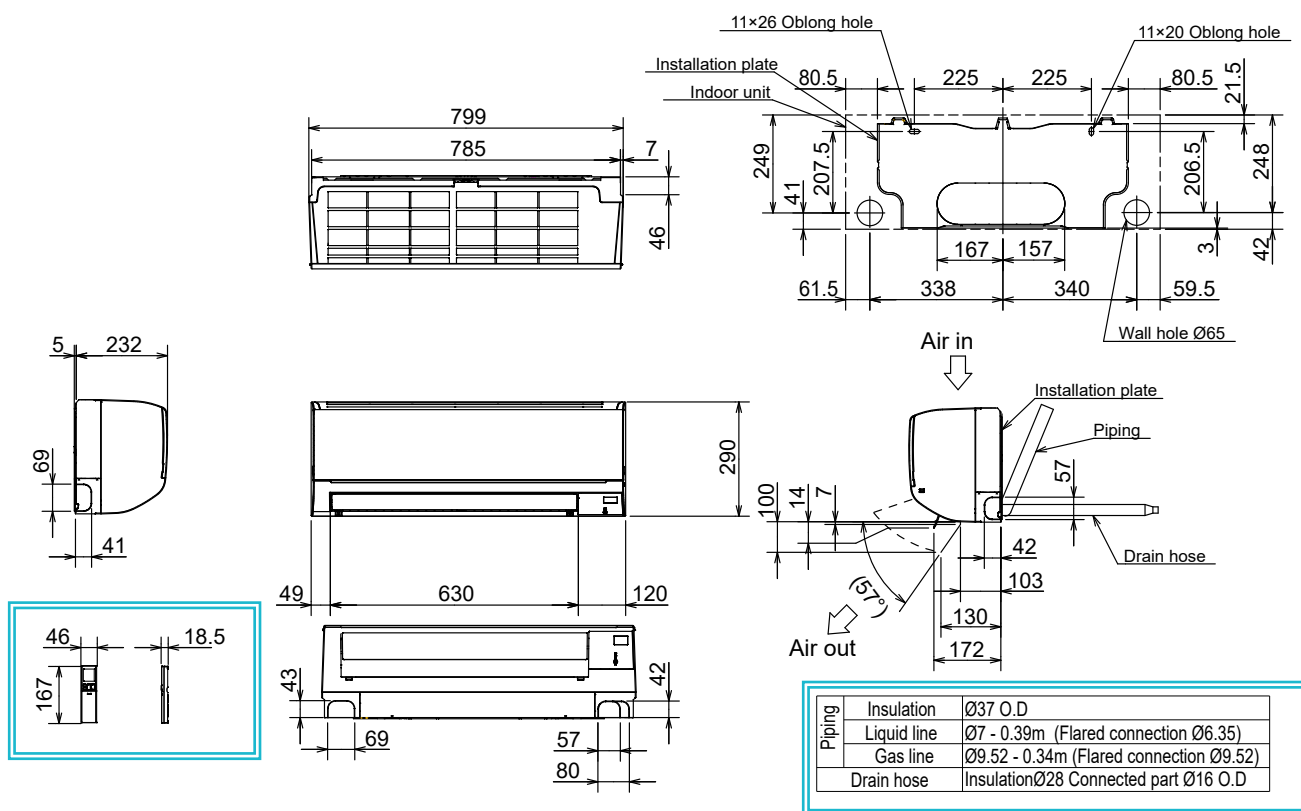


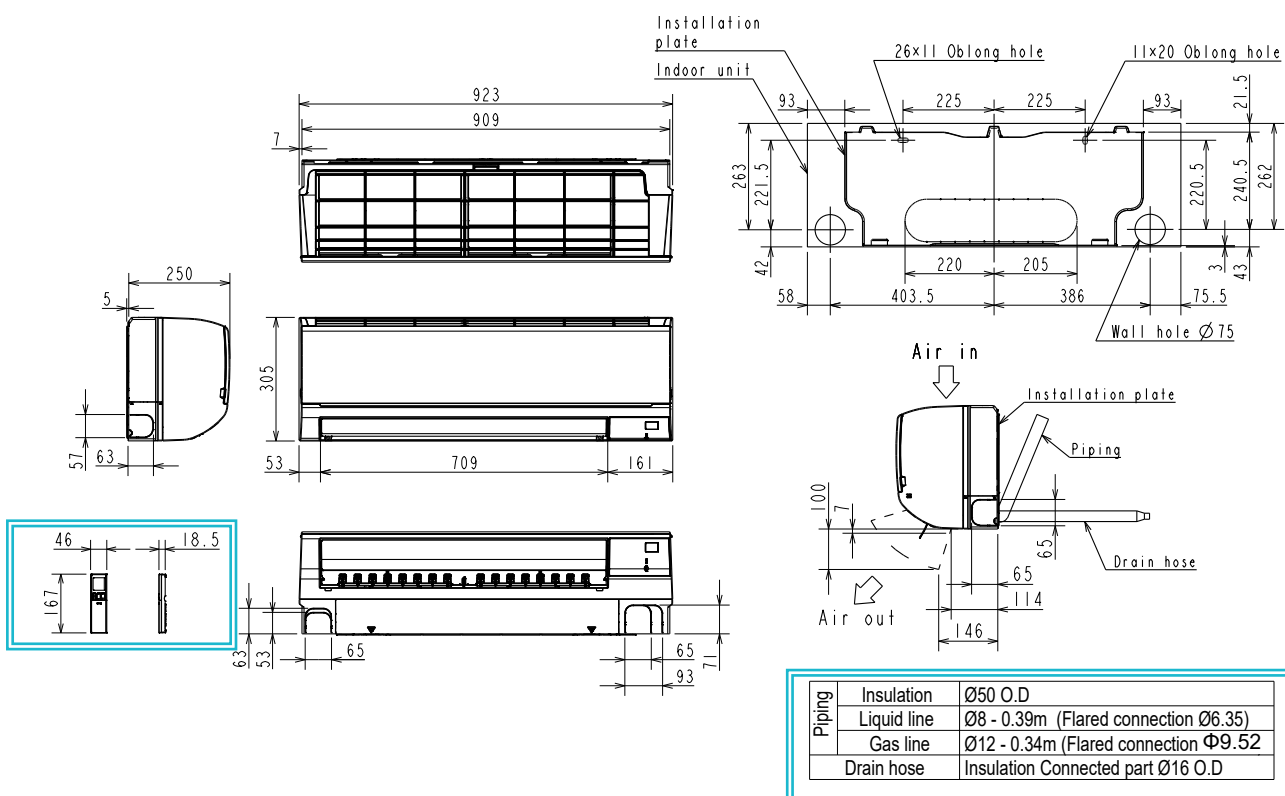
OUTLINES AND DIMENSIONS

MSZ-GS07VF MSZ-GS09VF MSZ-GS12VF
MSY-GS07VF MSY-GS09VF MSY-GS12VF

Unit : mm



MSZ-GS18VF MSY-GS18VF

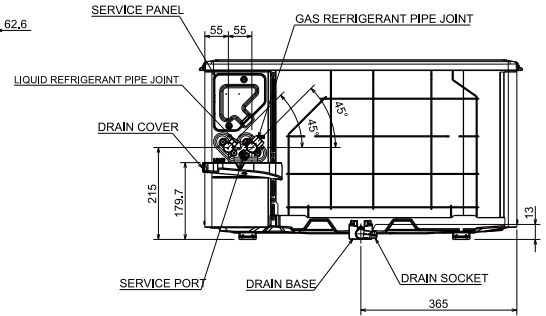
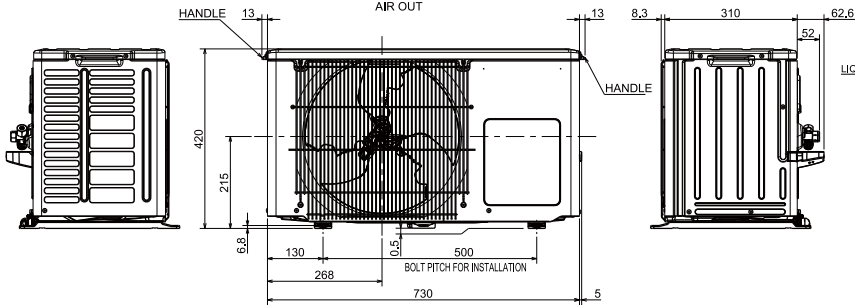
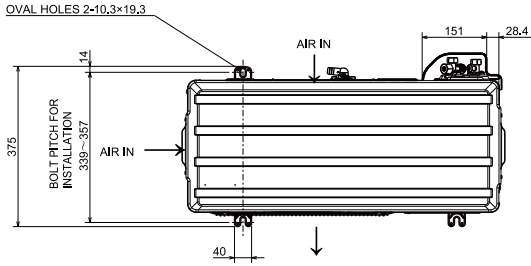
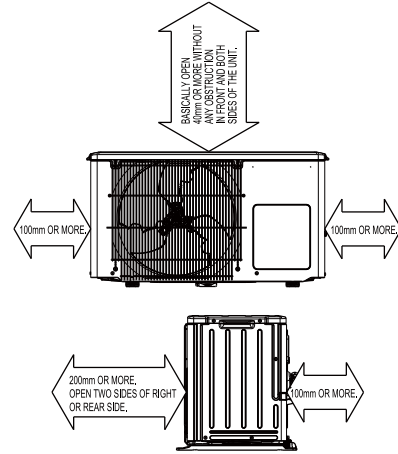


OUTLINES AND DIMENSIONS

MUZ-GS07VF MUY-GS07VF
 MUZ-GS09VF MUY-GS09VF
 MUZ-GS12VF MUY-GS12VF
 MUZ-GS18VF MUY-GS18VF

Unit : mm

REQUIRED SPACE



REFRIGERANT PIPE JOINT	LIQUID REFRIGERANT PIPE	FLARED 6.35(1/4")
	GAS REFRIGERANT PIPE	FLARED 9.52(3/8")
APPLICABLE DRAIN HOSE INNER DIAMETER		Ø16